

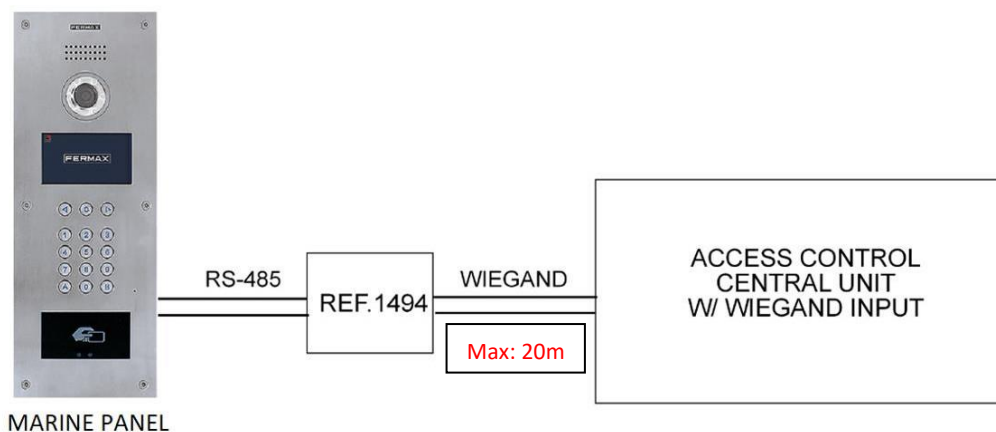
The GUEST CODE function of the FERMAX MEET panels is available on MILO, MARINE and KIN boards of version V2.10 or higher.

The QR CODE function is available on MARINE and KIN boards of version V3.10 or higher with GUEST CODE Module ref:1494 v10.310 or higher. It consists of a temporary guest access system that allows certain people (guests) to access the building by entering a previously provided access PIN code or QR code. Refer to the INSTALLER'S MANUAL of the MILO/MARINE/KIN panel for operational details.

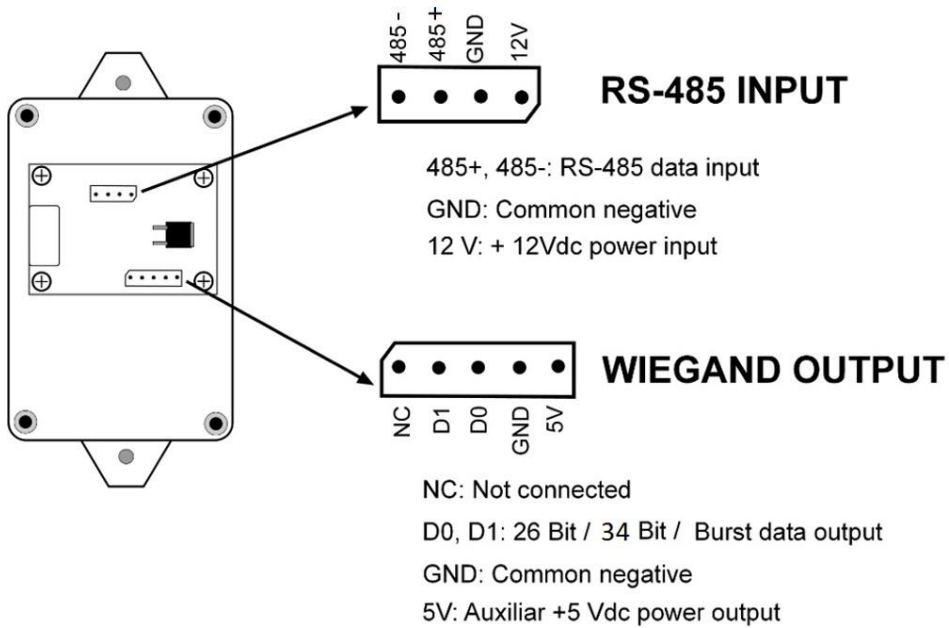
This access code must have a temporary validity, i.e. it must be invalidated after a pre-determined period of time, which is why an external wiegand access control centre is required for its management, as the boards do not have this discriminatory function.

The data generated by the MILO/MARINE/KIN panel is generated in RS-485 format. The function of the GUEST CODE Module Ref. 1494 is to convert them into Wiegand format, for processing by the external Access Control Centre used for code management.

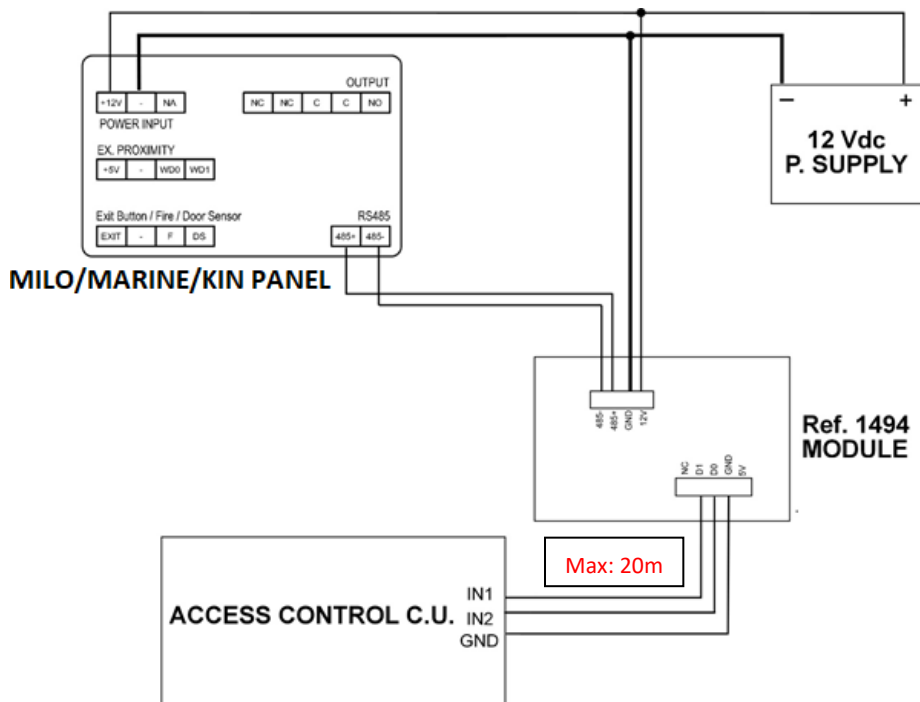
### 1. Block diagram



## 2. Description of inputs/outputs



## 3. Wiring diagram



### NOTES:

- Module Ref. 1494 can be powered from the same source as the MILO/MARINE/KIN panel. Otherwise, connect GND to the negative (-) in the panel.
- The Access Control Panel must be configured to use IN1 and IN2 as an input for WIEGAND 26 BIT, 34 BIT or BURST data.

## 4. Programming

### 4.1 The GUEST CODE system can be configured to work in these two format types:

DEVICE	EGRESS BUTTON:	<input checked="" type="checkbox"/>
GENERAL	PANEL RELAY	<input type="checkbox"/> (REF.1490)
DIRECTORY	REPEATER:	
NETWORK	OPEN DOOR	DISABLE
ACCESS	EXTENSION:	
FACIAL RECOG.	ADMIN. CARD:	123456
LIFT	DISARM BY CARD:	<input type="checkbox"/>
IP CAMERA	CARD READ PROMPTS:	<input checked="" type="checkbox"/>
SIP	GUEST CODE:	<input checked="" type="checkbox"/>
SIP CALL	WIEGAND:	26-BITS
CLOUD SERVICE	FACILITY:	0
ADVANCED	QR CODE:	<input checked="" type="checkbox"/>
PINCODE	WIEGAND:	26-BITS
WECHAT QR	SITE CODE:	

#### BURST FORMAT

- The range of supported PIN codes is 1-99999.
- The FACILITY parameter has no function.

#### WIEGAND 26 BIT FORMAT

- Used to simulate proximity cards
- The range of supported PIN codes is 1-65535 (FFFF in hexadecimal).
- The FACILITY parameter can be any value between 0 and 255 (FF in hexadecimal).
- The system will send a code formed by the hexadecimal sum of the FACILITY code + the typed PIN code.

**Example:**

*PIN code typed: 7845 (1EA5 in hexadecimal). FACILITY parameter: 45 (2D in hexadecimal)  
The code sent by the system will be 2D1EA5 in hexadecimal, equivalent to the number 2956965 in decimal.*

**NOTE:**

If the FACILITY parameter is set to 0, the code sent will be the same as the PIN code entered by the keypad.

## 4.2 The QR CODE system can be configured to work in these two format types:

### WIEGAND 26 BIT FORMAT

DEVICE	ACCESS CONTROL SETTINGS
GENERAL	
NETWORK	
ACCESS	
FACIAL RECOG.	
LIFT	
IP CAMERA	
SIP	
SIP TRUNK	
SIP CALL	
ADVANCED	
PINCODE	
WECHAT QR	
RESET	

DOOR RELAY TIME:	3s
OPEN DOOR DELAY:	0s
EGRESS BUTTON:	<input checked="" type="checkbox"/>
DOOR OPEN ALARM:	DISABLE
DOOR FORCED ALARM:	<input type="checkbox"/>
REF.1490 2 RELAY:	<input type="checkbox"/>
ADMIN. CARD:	123456
DISARM BY CARD:	<input type="checkbox"/>
CARD READ PROMPTS:	<input checked="" type="checkbox"/>
GUEST CODE:	<input type="checkbox"/>
WIEGAND:	BURST
FACILITY:	100
QR CODE:	<input type="checkbox"/>
WIEGAND:	26-BITS
SITE CODE:	<input type="checkbox"/>
ACCESS PIN:	<input type="checkbox"/>

SAVE

The format of QR CODE is X-Y-Z

X (8 digits) is site code. Supported range 00000000-ffffffff (hexadecimal)

Y (8 digits). Supported range 00000000-FFFFFFFF (hexadecimal)

Z (8 digits) is output code. Supported range 00000000-16777215(decimal, FFFFFF in hexadecimal).

#### **Example:**

QR codes: 82c0b6cd-20102017-11211316, comply with the rules of QR CODE. The site code must be 82c0b6cd if site code enable.

The QR CODE by the system will be AB1234 in hexadecimal, otherwise fail and no output code will be sent.

### WIEGAND 34 BIT FORMAT

**NOTE:** GUEST MODE MODULE version must be V 10.310 or higher.

The format of QR CODE is X-Y-Z

X (8 digits) is site code. Supported range 00000000-ffffffff (hexadecimal)

Y (8 digits). Supported range 00000000-FFFFFFFF (hexadecimal)

Z (10 digits) is output code. Supported range 0000000000- 4294967295 (decimal, FFFFFFFF in hexadecimal).

**Example:**

QR codes: 82c0b6cd-20102017-0011211316, comply with the rules of QR CODE, the site code must be 82c0b6cd if site code enable.

The QR CODE by the system will be 00AB1234 in hexadecimal, otherwise fail and no output code be sent.

## 5. Technical specifications

- Power Supply: 12 Vdc
- Wiegand output voltage: 5Vdc